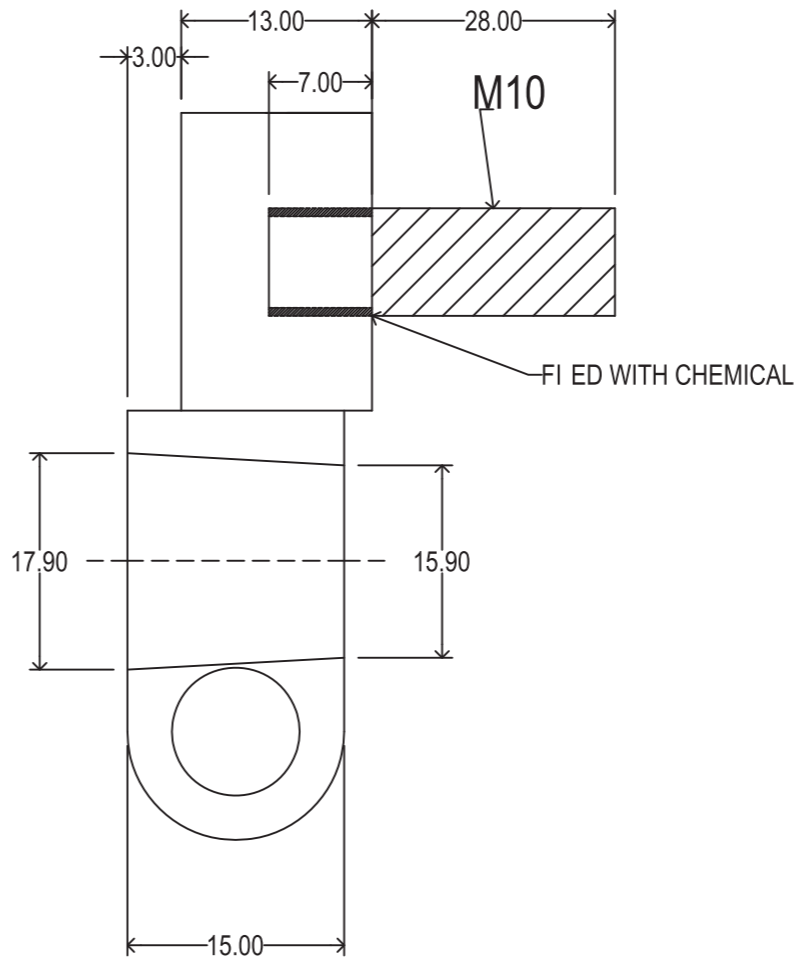
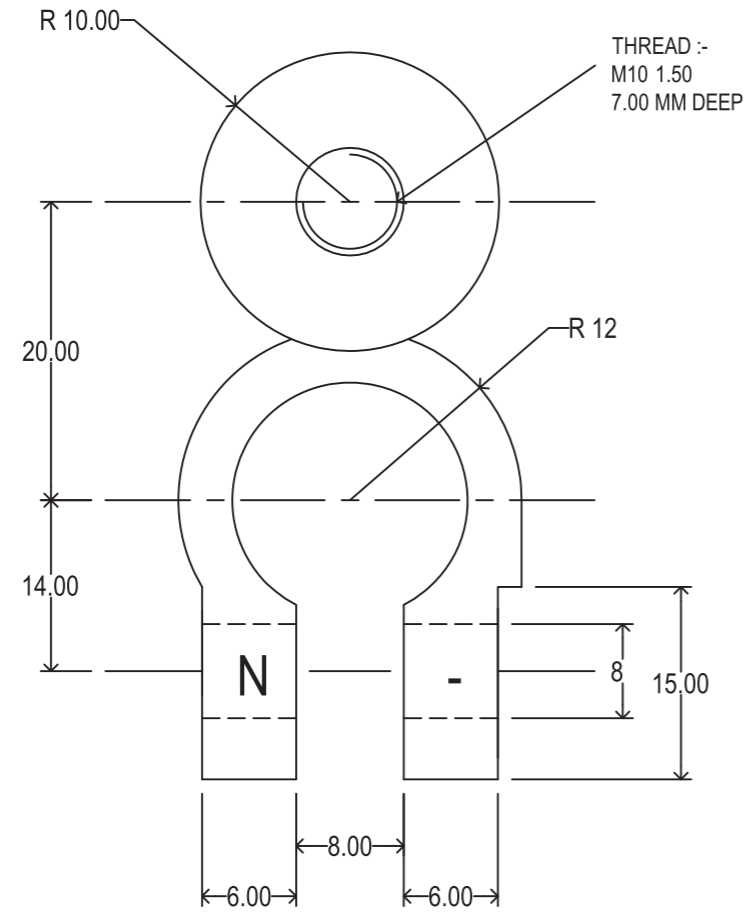


MATERIAL :- BRASS
ALLOY :-
TREATMENT :- DULL TIN PLATING
B CODE :- 78
B APPROVAL SIGN:- APD
ADDITIONAL REQUIREMENTS :- N/A
ROHS REQUIRED :- YES
DESIGN DATE:- 13.11.14



**FASTNERDETAIL**

- 1 PCS - M8 30 D SHAPE BOLT
- 2 PCS - M8 NUT
- 3 PCS - M10 35 BOLT W/O HEAD
- 4 PCS - M10 NUT
- 5 PCS - M10 DIS PLATE

**PLATINGDETAIL**

- 1 FASTNER :- DULL TIN
- 2 TERMINAL :- DULL TIN

<b>GENERAL NOTES &amp; TOLERANCE AS PER ISO 2768 - 1 1989</b> 1. UNLESS OTHERWISE STATED, ALL DIMENSIONS ARE IN <u>INCHES</u> . 2. REMOVE ALL BURRS AND SHARP EDGES. 3. TOLERANCE FOR DIMENSIONS. 4. CLASS OF DEVIATIONS :- <u>MEDIUM</u> 5. BELOW TOLERANCE ARE FOR TURN COMPONENTS. <u>DO NOT USE THIS TOLERANCE ON CAST PRODUCT, OR FORGED PRODUCT.</u> 6. FOR CRITICAL / IMPORTANT DIMENSION USE ELLIPSES SIGN. 7. MULTIPLY INCHES X 25.4 = MILLIMETER ( MM )										<b>GENERAL NOTES &amp; TOLERANCE AS PER ISO 2768 - 1 1989</b> 1. UNLESS OTHERWISE STATED, ALL DIMENSIONS ARE IN <u>MM</u> . 2. REMOVE ALL BURRS AND SHARP EDGES. 3. TOLERANCE FOR DIMENSIONS. 4. CLASS OF DEVIATIONS :- <u>MEDIUM</u> 5. BELOW TOLERANCE ARE FOR TURN COMPONENTS. <u>DO NOT USE THIS TOLERANCE ON CAST PRODUCT, OR FORGED PRODUCT.</u> 6. FOR CRITICAL / IMPORTANT DIMENSION USE ELLIPSES SIGN. 7. MULTIPLY MILLIMETERS ( MM ) X 0.03937 = INCHES 8. DIVIDE MILLIMETERS BY 25.4 = INCHES										
PERMISSIBLE DEVIATIONS IN MM FOR RANGES IN NOMINAL LENGTHS		PERMISSIBLE DEVIATIONS IN MM FOR RANGES IN NOMINAL LENGTHS		PERMISSIBLE DEVIATIONS IN DEGREES AND MINUTES FOR RANGES IN NOMINAL LENGTHS		PERMISSIBLE DEVIATIONS IN MM FOR RANGES IN NOMINAL LENGTHS		PERMISSIBLE DEVIATIONS IN MM FOR RANGES IN NOMINAL LENGTHS		PERMISSIBLE DEVIATIONS IN DEGREES AND MINUTES FOR RANGES IN NOMINAL LENGTHS										
EXTERNAL RADIUS CHAMFER HEIGHT		LINEAR AND DIAMETRAL DIMENSIONS		ANGULAR DIMENSIONS LENGTH OF SHORTER SIZE		EXTERNAL RADIUS CHAMFER HEIGHT		LINEAR AND DIAMETRAL DIMENSIONS		ANGULAR DIMENSIONS LENGTH OF SHORTER SIZE										
0.0196	0.1181	0.2362	0.0118	0.2755	1.2204	4.7637	0.00	0.4330	2.0078	0.50	3.00	6.00	0.30	7.00	31.00	121.00	0.00	0.00	11.00	51.00
0.1181	0.2362	0.3937	0.2362	1.1811	4.7244	12.401	0.3937	1.9685	4.7244	3.00	6.00	10.00	6.00	30.00	120.00	315.00	10.00	50.00	120.00	120.00
±0.0078	±0.0196	±0.0393	±0.0039	±0.0078	±0.0118	±0.0196	±0.1*	±0.0*30'	±0.0*20'	±0.20	±0.50	±1.00	±0.10	±0.20	±0.30	±0.50	±0.1*	±0.0*30'	±0.0*20'	±0.0*20'

<b>Battery terminal with M10 thread negative D</b>		Article number: 68061200	
		Tolerances: linear ±0.2mm Angular ±0.5°	
	Material:	Units: mm	<b>A3</b>
	Scale: 1:1	Checked:	
	Drawn: hFd	Date: 14/10/15	